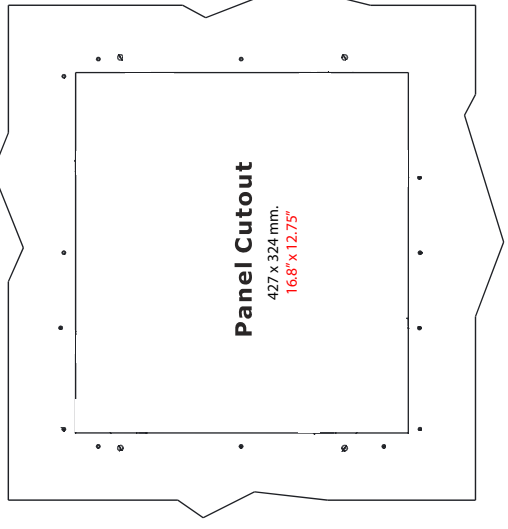
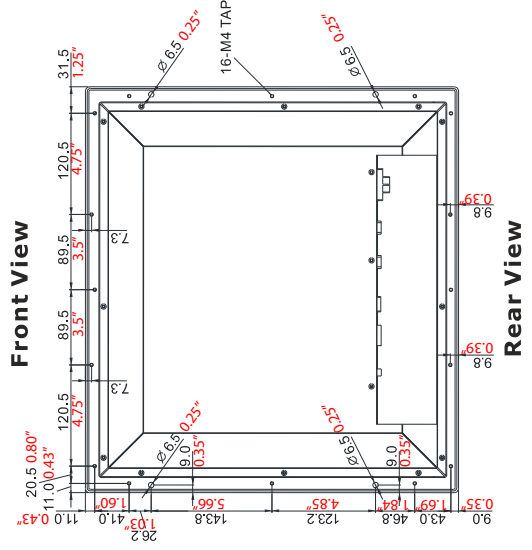
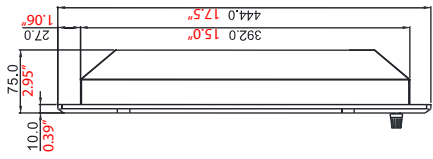
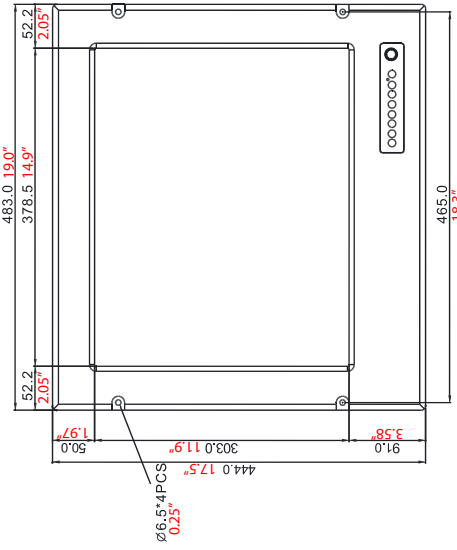
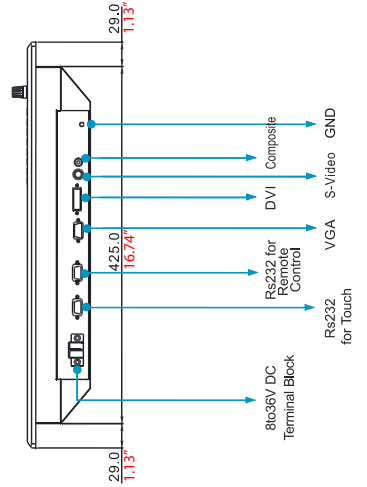


1 2 3 4



All Dimensions are ±0.5 mm 0.02"

Side View



Bottom View

<p><b>PROPRIETARY NOTICE</b> -- PERMISSION IS HEREBY GRANTED TO USE THE CONFIDENTIAL INFORMATION ON THIS DOCUMENT FOR REFERENCE ONLY AND MAY NOT BE PRODUCED OR DISCLOSED TO OTHERS WITHOUT PRIOR WRITTEN PERMISSION OF MARINE PC.</p>	<p><b>TOLERANCES</b>                  LINEAR ±.01                  ANGULAR ±.05                  UNLESS OTHERWISE SPECIFIED</p>	<p>Project: <b>MPC-19PI</b>                  Status: Released                  Design: MG                  Check: MG</p>	<p>MPC Part # MPC-19PI                  Material: P:\MPC-19PI\Assemblies\Lam</p>	<p>Dwg #                  Rev # 1.0</p>
	<p>Sheet 1 of 1</p>		<p>MPC-19PI</p>	

**MarinePC**

3420 North Stone Gully P-460-515-1688  
 Mesa, AZ 85207 F-460-694-0243

1 2 3 4