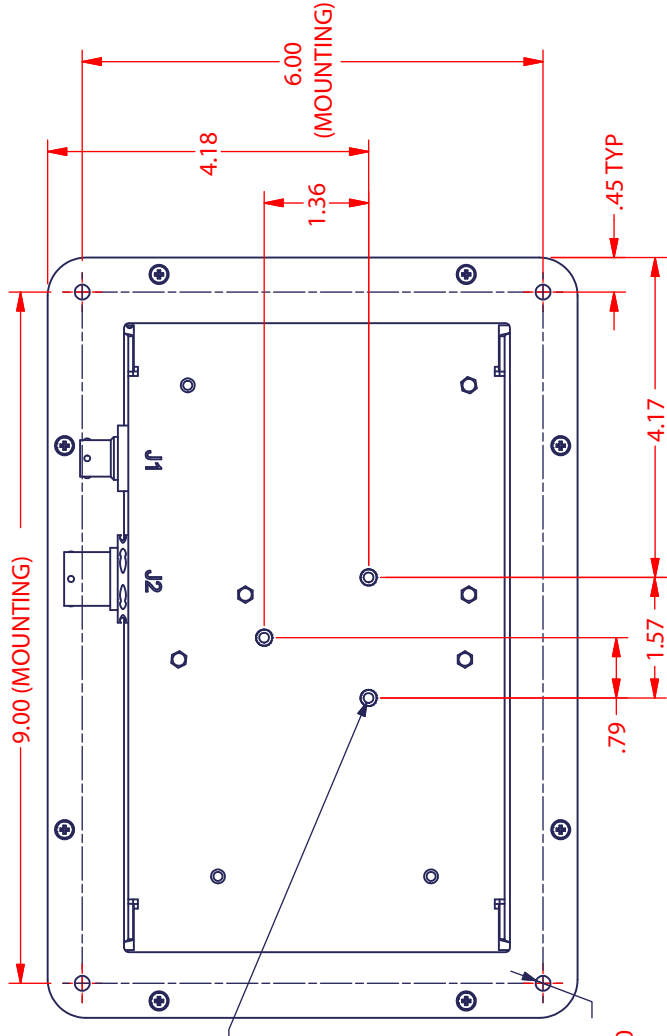
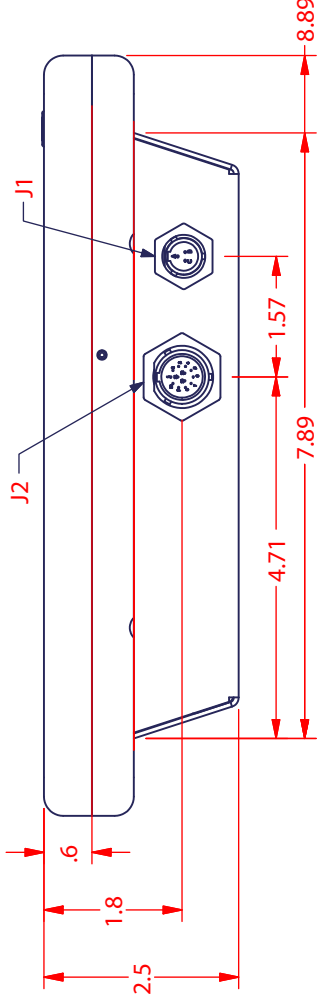
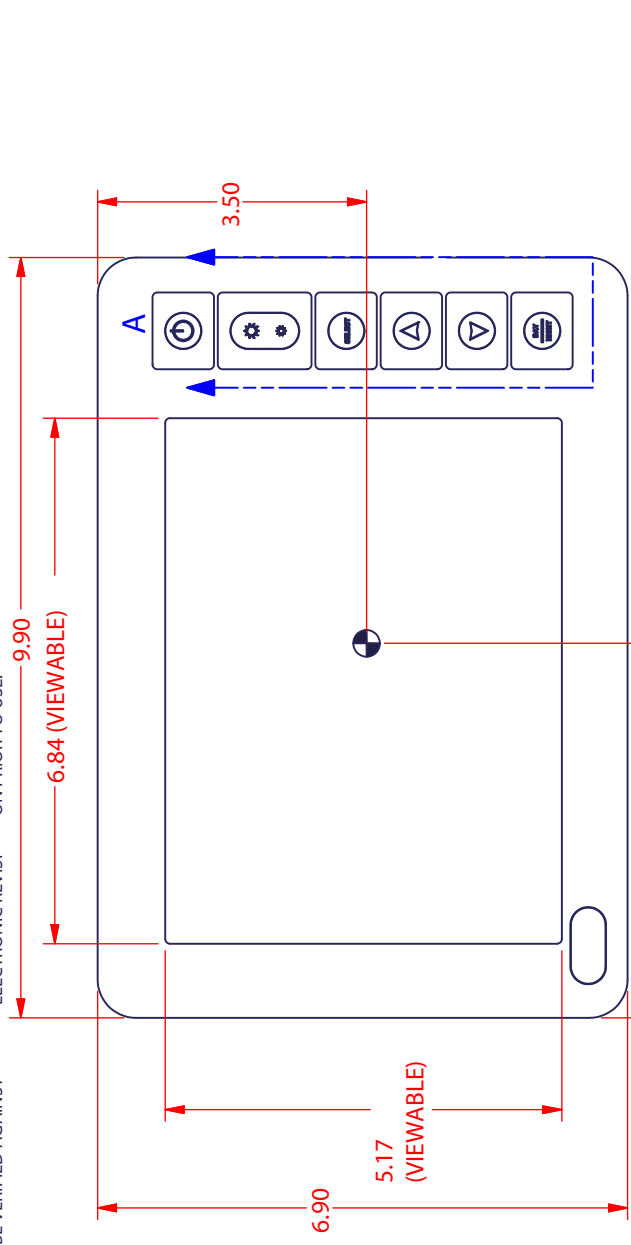


THIS IS AN ELECTRONICALLY CONTROLLED AND ISSUED DOCUMENT. HARD COPY DOCUMENTS MUST BE VERIFIED AGAINST ELECTRONIC REVISIONS PRIOR TO USE.



3X RAM MOUNTING HOLES
M4x0.7 - 6H x 10.17
(METRIC DIMENSIONING)

4X PANEL MOUNTING HOLES
M6x1 - 6H x 12.00
(METRIC DIMENSIONING)
MAX TORQUE 40 in-lbs.

EXPORT CONTROL - THIS DOCUMENT IS CONTROLLED TO PREVENT THE INFORMATION CONTAINED IN THIS DOCUMENT FROM BEING DISCLOSED TO FOREIGN PERSONS OR PARTIES.
CONTROLLED FOR EXPORT BY THE INTERNATIONAL TRADE AND COMMERCE ADMINISTRATION (ITAC). TRADE SECRETS CONTAINED HEREIN ARE SUBJECT TO DISCLOSURE RESTRICTIONS AS A MATTER OF LAW. DIVISION CONTRARY TO US LAW IS PROHIBITED. US DEPARTMENT OF STATE AUTHORIZATION IS REQUIRED PRIOR TO EXPORT OR TRANSFER TO FOREIGN PERSONS OR PARTIES.

PROPRIETARY NOTICE -- PERMISSION IS HEREBY GRANTED TO USE THE CONFIDENTIAL INFORMATION ON THIS DOCUMENT FOR REFERENCE ONLY AND MAY NOT BE PRODUCED OR DISCLOSED TO OTHERS WITHOUT PRIOR WRITTEN PERMISSION OF THE AUTHOR.

TOLERANCES
LINEAR
.X = ±.1
.XX = ±.01
.XXX = ±.005
UNLESS OTHERWISE SPECIFIED
DIMENSIONS ARE IN INCHES

Project: **ML208**
Status: Released
Design: KJ
Check: EC

Part/Dwg #: **ML208 DISPLAY**
Wgt.: 8.50 +/- .25 lbs.
\\CAD_Library\Assemblies\ML208

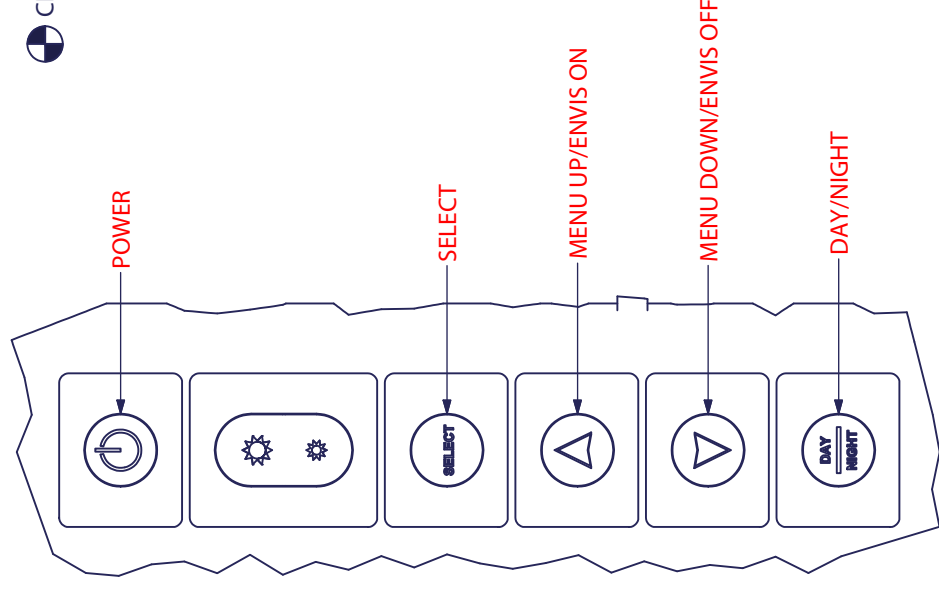
Rev # 1.4

OVERVIEW
DISPLAY ASSY, ML208

Cage Code: 3W7C2 Sheet 1 of 1

Marine PC

3420 North Stone Gully P-480-515-1838
Mesa, AZ 85207 info@marinepc.com



DETAIL A
USER INTERFACE BUTTONS

POWER 3 PIN RECEPTACLE	
PIN	SIGNAL
A	28 VOLT DC
B	28 VOLT RTN
C	CHASSIS_GND
AMPHENOL #	71-533721-33P (3-pin power)
Mate #	PT06E833SSR (141247)
Strain #	Included
Part #	141227
Cable Assy#	900222

RGB 13 PIN RECEPTACLE	
MIL-DTL-38999 SERIES I CONNECTOR	
PIN	SIGNAL
1	Red Video Signal
2	Red Video Ground
3	Green Video Signal
4	Green Video Ground
5	Blue Video Signal
6	Blue Video Ground
7	H-SNYC
8	V-SNYC
9	H/V SYNC Ground
10	USB+/RS-232 RXD
11	USB-/RS-232 TXD
12	Digital Ground
13	RI-OUT
AMPHENOL #	88-569722-35P (Video Only)
Mate #	MS27467E11B355 (141238)
Strain #	M85049/49-2-10W (141248)
Part #	141228
Cable Assy#	900230

1

2

3

4

B

B

A

A

1

2

3

4