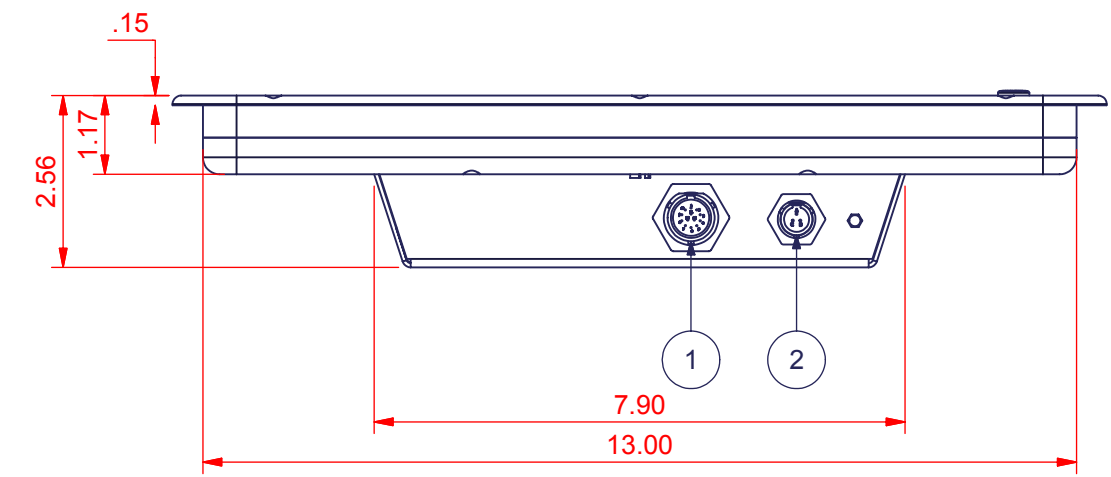
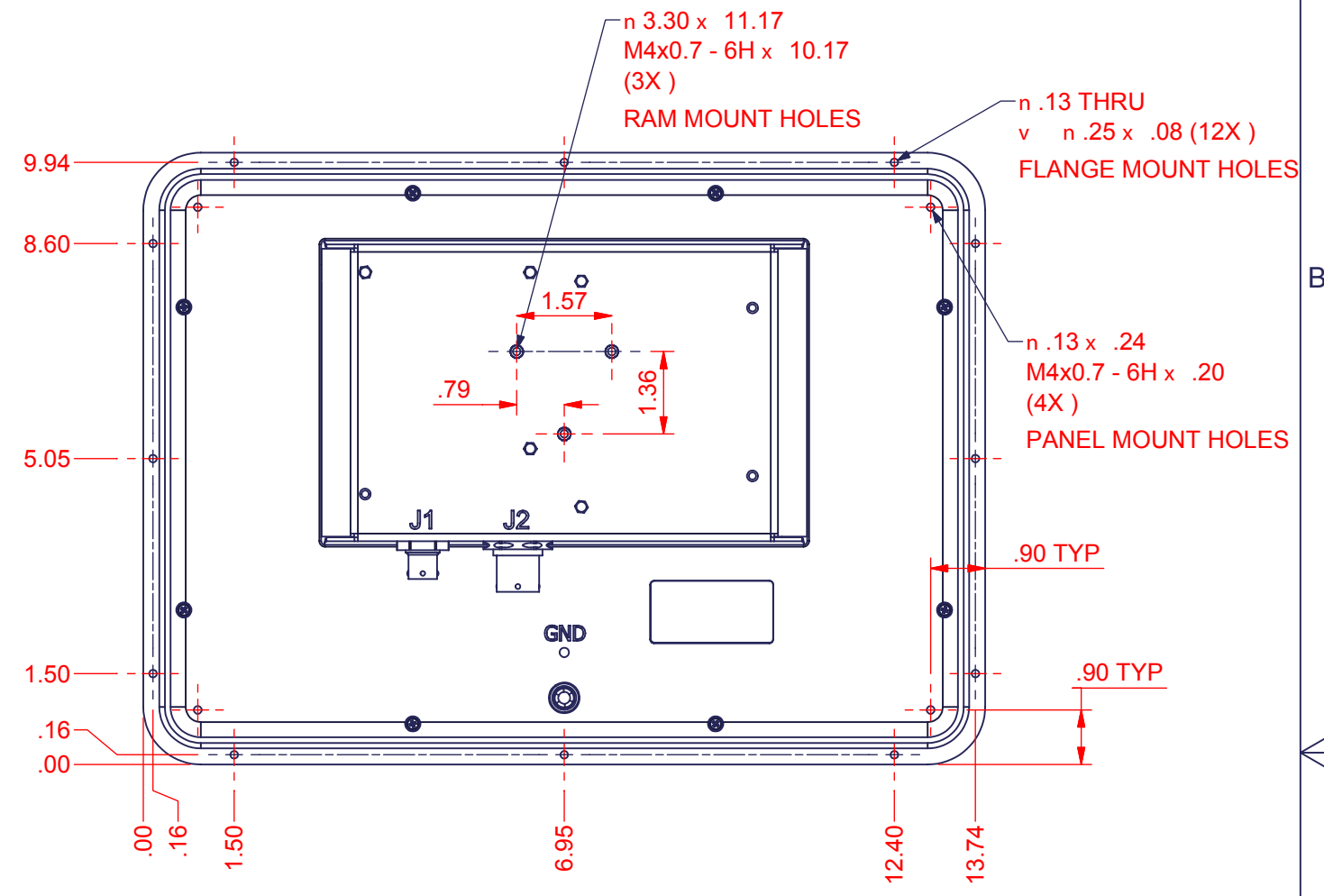
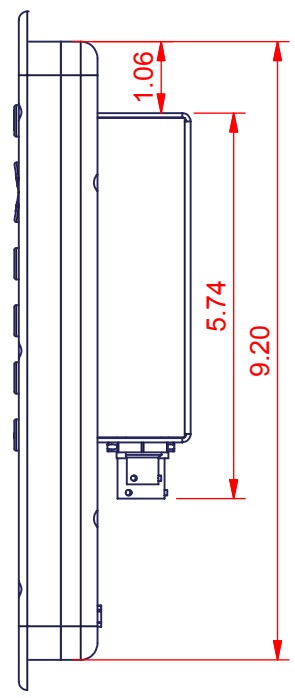
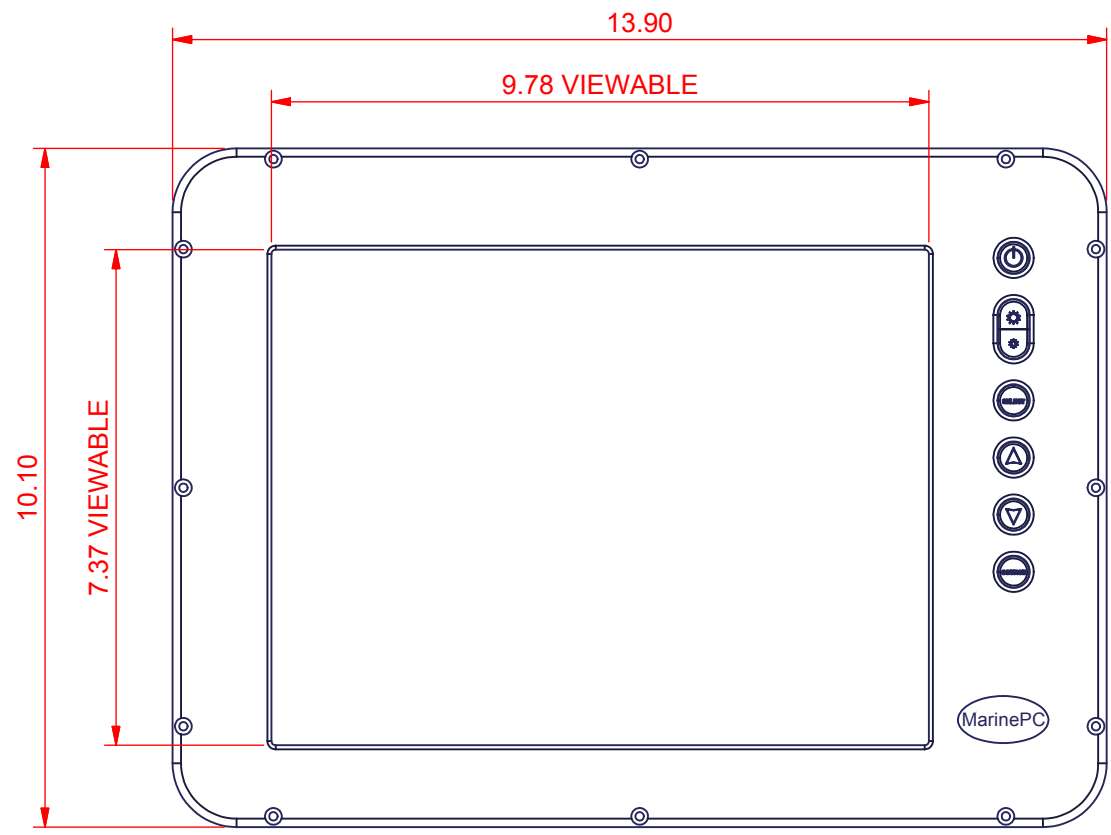


Parts List					
ITEM	QTY	DESCRIPTION	PART #	REV	DWG/MFR
1	1	MIL-DTL-38999 Series I, 13 Pin (NORMAL)	141228	88-569722-35P	AMPHENOL
2	1	MIL-DTL-38999 Series I, 3 Pin	141227	71-533721-33P	AMPHENOL



**MIL-C-26480 Series I (POWER)**  
Connector P/N=71-533721-33P

PIN	SIGNAL
A	28 VOLT DC
B	28 VOLT RTN
C	NO CONNECTION

MATING PLUG: PT06E933SSR

**MIL-DTL-38999 Series I (VIDEO)**  
Connector P/N=88-569722-35P

PIN	SIGNAL
1	RED VIDEO SIGNAL
2	RED VIDEO GND
3	GREEN VIDEO SIGNAL
4	GREEN VIDEO GND
5	BLUE VIDEO SIGNAL
6	BLUE VIDEO GND
7	H-SYNC
8	V-SYNC
9	H/V-SYNC GND
10	USB+/RXD
11	USB-/TXD
12	DIGITAL GND
13	RI-OUT
SHELL	DRAIN SHIELD

MATING PLUG:MS27467E13B35S

**PROPRIETARY NOTICE** -- PERMISSION IS HEREBY GRANTED TO USE THE CONFIDENTIAL INFORMATION ON THIS DOCUMENT FOR REFERENCE ONLY AND MAY NOT BE PRODUCED OR DISCLOSED TO OTHERS WITHOUT PRIOR WRITTEN PERMISSION OF MARINE PC.

**TOLERANCES**

LINEAR	ANGULAR
.X = ±.1	±1°
.XX = ±.01	
.XXX = ±.005	

UNLESS OTHERWISE SPECIFIED

Project: **ML12R-F**  
Design: MG Date: 10/19/2009  
Check: EC Date: 10/19/09

MPC Part #MPC-ML12R-F Dwg # O1909.12 Rev # 1.0  
Wgt. 8.38 lbmass .25lbs. Material:   
P:\ML\ML12R\Assemblies\Display Assy ML12R-Flush Mount-X.iam

**OVERVIEW**  
DISPLAY ML12R-F Flush Bezel  
Sheet 1 of 1

**Marine PC**  
3420 N. Stone Gully Mesa, Arizona 85207 P: 480-515-1838 F: 480-654-0243