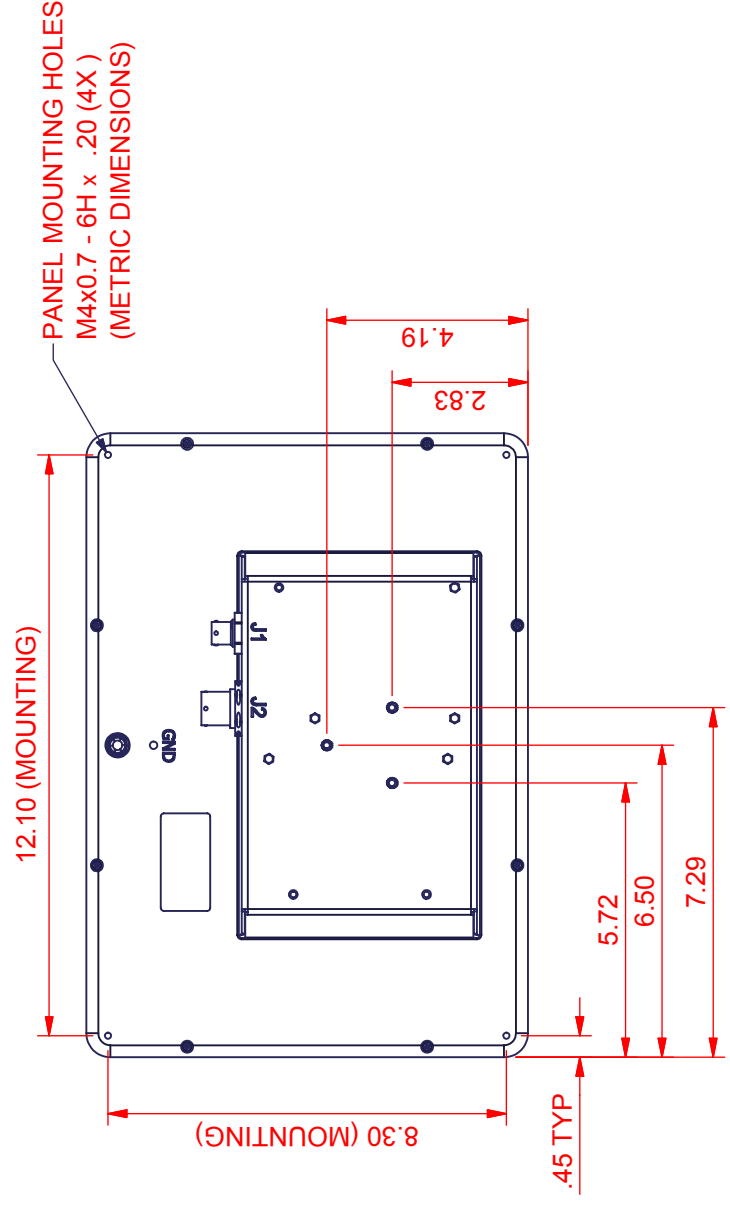
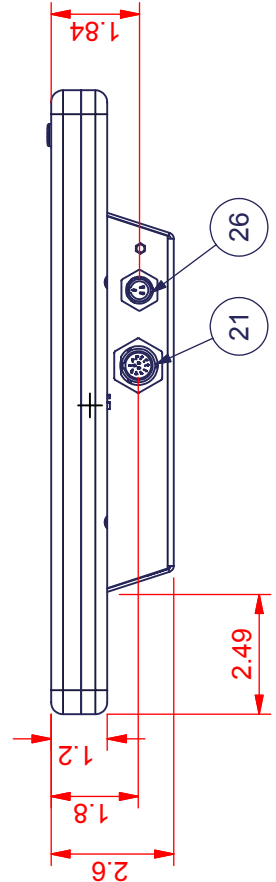
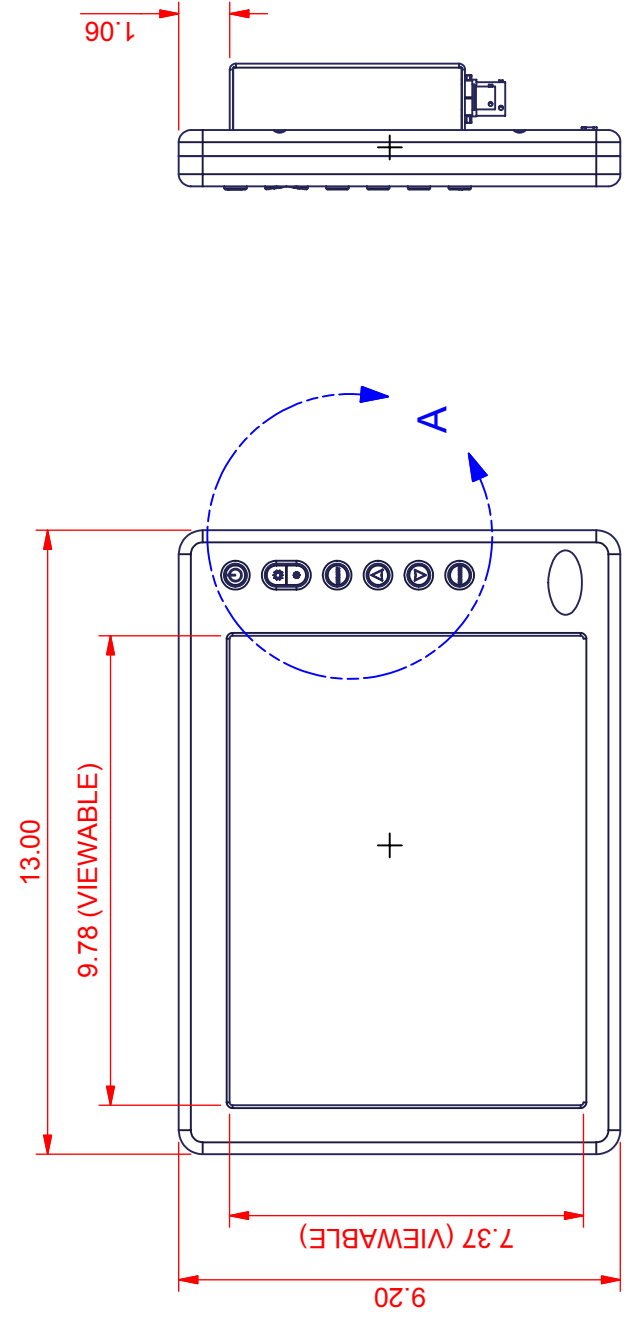
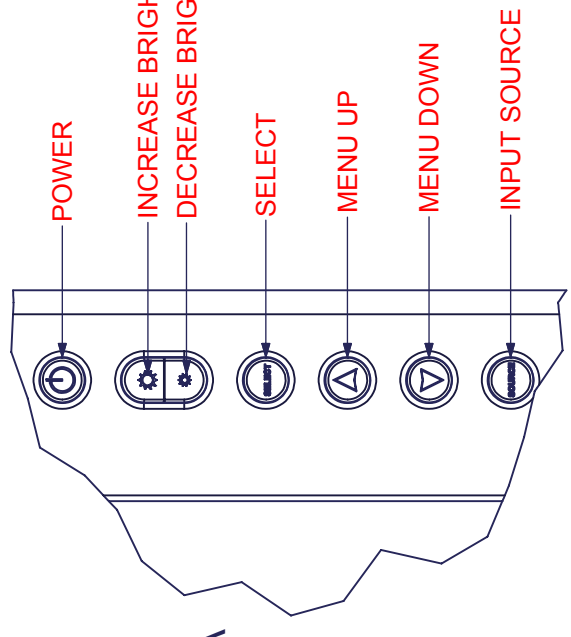


Parts List			
ITEM	QTY	DESCRIPTION	DWG/MFR PART #
21	1	MIL-DTL-38999 Series I, 13 Pin (NORMAL)	141228
26	1	MIL-DTL-38999 Series I, 3 Pin	141227

ITEM	QTY	DESCRIPTION	DWG/MFR PART #
21	1	MIL-DTL-38999 Series I, 13 Pin (NORMAL)	141228
26	1	MIL-DTL-38999 Series I, 3 Pin	141227



USER INTERFACE BUTTONS



DETAIL A

MIL-DTL-38999 Series I (VIDEO) Connector P/N=88-569722-35P	
PIN	SIGNAL
1	RED VIDEO SIGNAL
2	RED VIDEO GND
3	GREEN VIDEO SIGNAL
4	GREEN VIDEO GND
5	BLUE VIDEO SIGNAL
6	BLUE VIDEO GND
7	H-SYNC
8	V-SYNC
9	HV-SYNC GND
10	USB-RS232 RXD
11	USB-RS232 TXD
12	DIGITAL GND
13	RI-OUT
SHELL	DRAIN SHIELD

MIL-C-26482 Series I (POWER) Connector P/N=71-533721-33P	
PIN	SIGNAL
A	28 VOLT DC
B	28 VOLT RTN
C	NO CONNECTION
MATING PLUG: PT06E933SSR	

MATING PLUG: MS27467E11B35S

TOLERANCES		Project: MPC-ML12R		MPC Part # MPC-ML12R		Dwg # F2708.11	
LINEAR	±.005	Design: MG	Date: 2/26/2009	Wgt: 8.38 lbmass	.25lbs.	Material:	Rev # 1.1
ANGULAR	±1°	Check: EC	Date: 2/27/2009	P:\MSMML12R\Assemblies	\Display,Assy ML12R.iam	Finish:	
UNLESS OTHERWISE SPECIFIED		OVERVIEW		DISPLAY MPC-ML12R ASSEMBLY		Sheet 1 of 1	
PROPRIETARY NOTICE -- PERMISSION IS HEREBY GRANTED TO USE THE CONFIDENTIAL INFORMATION ON THIS DOCUMENT FOR REFERENCE ONLY AND MAY NOT BE PRODUCED OR DISCLOSED TO OTHERS WITHOUT PRIOR WRITTEN PERMISSION OF MARINE PC.		MARINE PC 3420 N. Stone Gully Mesa, AZ 85207 P: 480-515-1838 F: 480-654-0243					