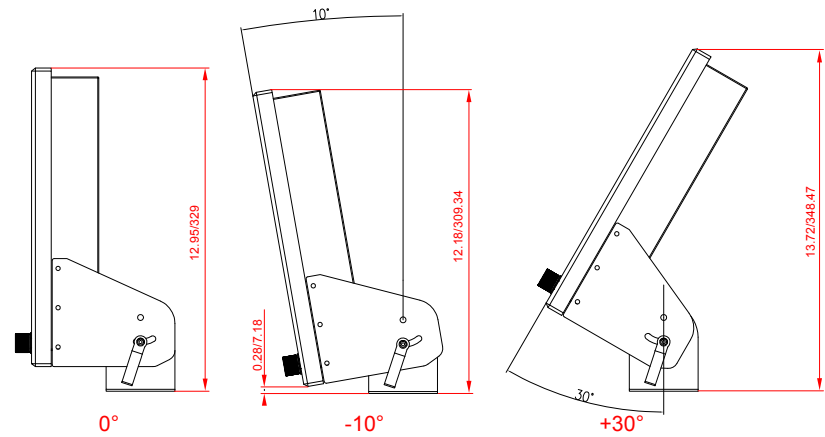
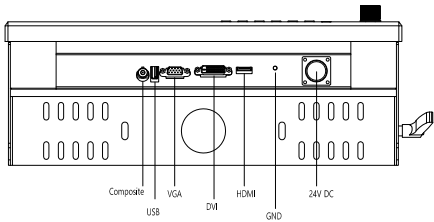
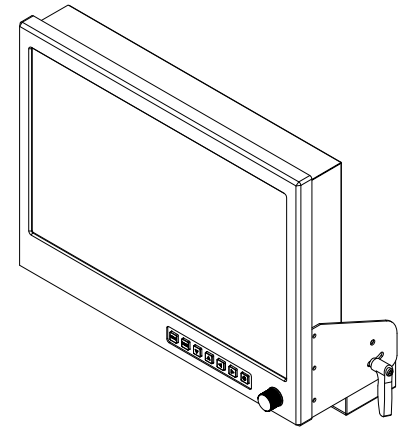
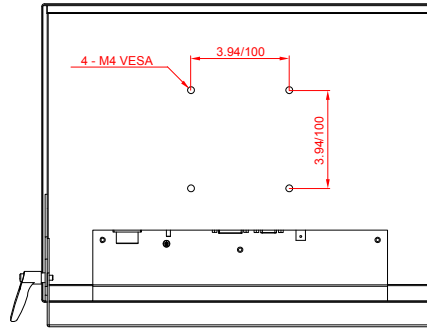
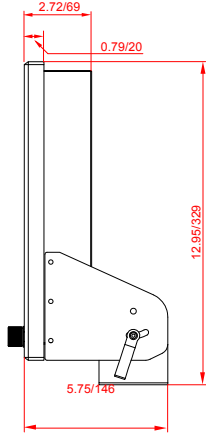
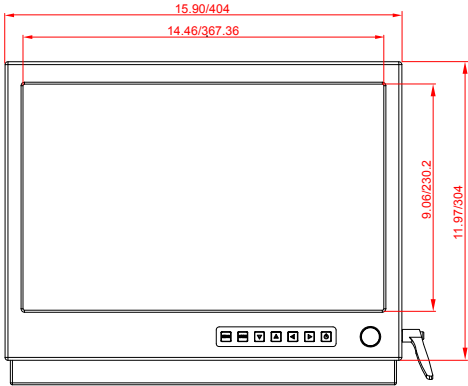
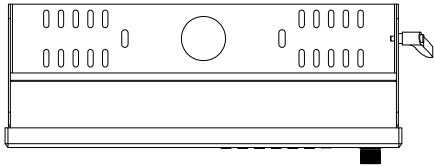


4

3

2

1



TILT ANGLE

PROPRIETARY NOTICE – PERMISSION IS HEREBY GRANTED TO USE THE CONFIDENTIAL INFORMATION ON THIS DOCUMENT FOR REFERENCE ONLY AND MAY NOT BE PRODUCED OR DISCLOSED TO OTHERS WITHOUT PRIOR WRITTEN PERMISSION OF MARINE PC.

TOLERANCES

LINEAR .X = ± .1
.XX = ± .01
.XXX = ± .005
ANGULAR ± .5°
UNLESS OTHERWISE SPECIFIED

Project: MPC-HL17W
Status: Released
Design: KJ Date: 6/8/2017
Check: EC Date: 6/15/2017

Part # MPC-HL17W-U
Material:
Finish:
Dwg # MPC-HL17W-U
Rev # 1.0
WGT. = N/A .25lbs.
P:\Drawings\Bridge_Displays\HL17W_w_bracket_Dim.ipt

MPC-HL17W with U-Bracket
17.1" Hi-Res Bridge Display

Marine PC

3420 N. Stone Gully P:480-515-1838
Mesa, AZ 85207 USA

4

3

2

1