

4

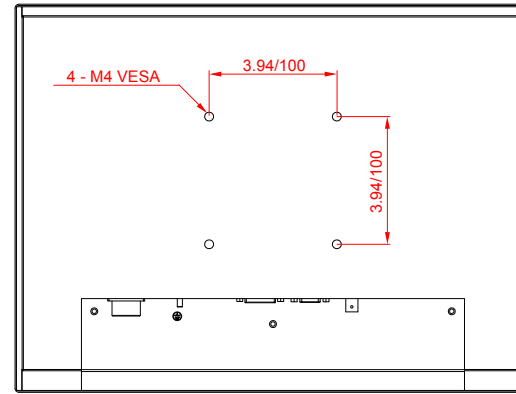
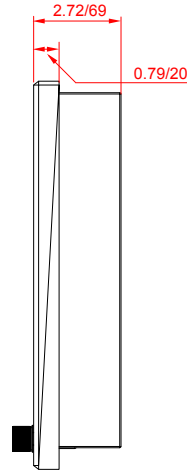
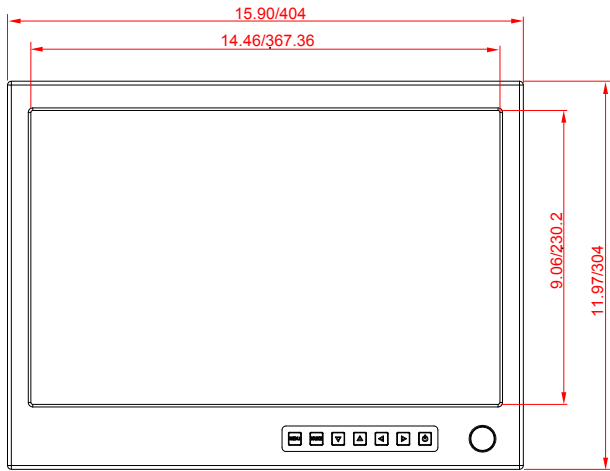
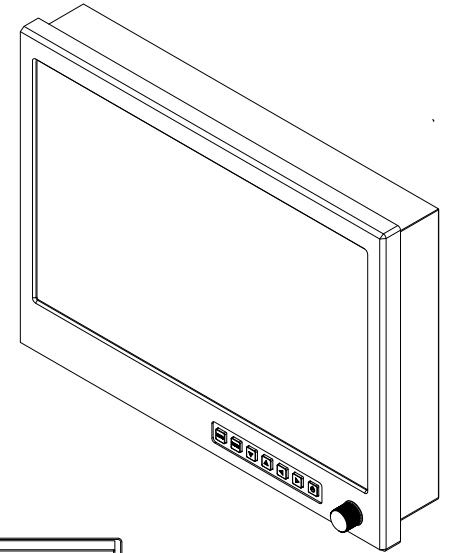
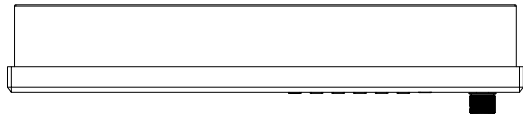
3

2

1

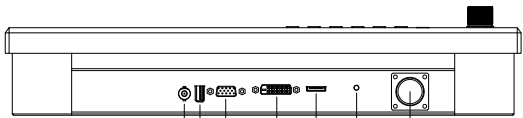
B

B



A

A



Composite
 USB
 VGA
 DVI
 HDMI
 GND
 24V DC

DIMENSIONS: INCHES / MM.

PROPRIETARY NOTICE – PERMISSION IS HEREBY GRANTED TO USE THE CONFIDENTIAL INFORMATION ON THIS DOCUMENT FOR REFERENCE ONLY AND MAY NOT BE PRODUCED OR DISCLOSED TO OTHERS WITHOUT PRIOR WRITTEN PERMISSION OF MARINE PC.

TOLERANCES
 LINEAR
 .X = ± .1
 .XX = ± .01
 .XXX = ± .005
 ANGULAR
 ± .5°
 UNLESS OTHERWISE SPECIFIED

Project: **MPC-HL17W**
 Status: Released
 Design: KJ Date: 6/7/2017
 Check: EC Date: 6/14/2017

Part # **MPC-HL17W**
 Material:
 Finish:
 P:\Drawings\Bridge_Displays\HL17W_Dim.ipt

Dwg # **MPC-HL17W**
 Rev # **1.0**
 WGT.= N/A .25lbs.

MPC-HL17W
 17.1" Hi-Res Bridge Display

Marine PC

3420 N. Stone Gully P:480-515-1838
 Mesa, AZ 85207 USA

4

3

2

1

Sheet 1 of 1