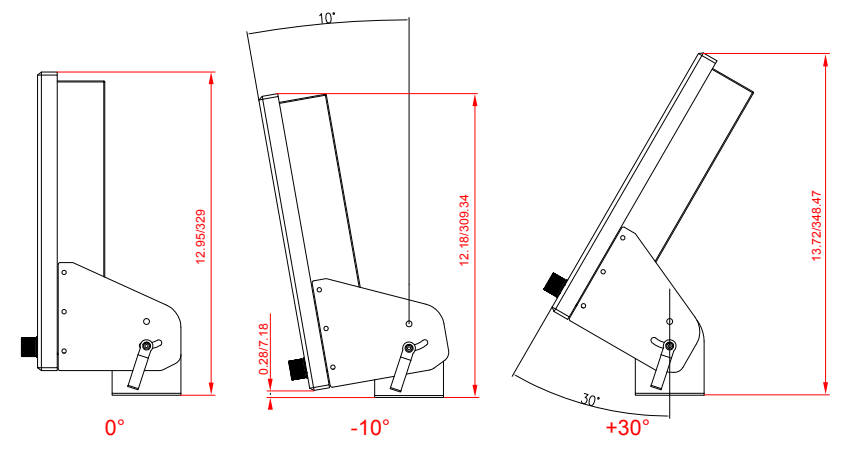
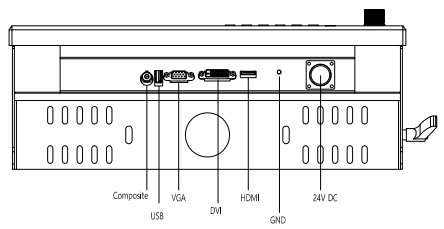
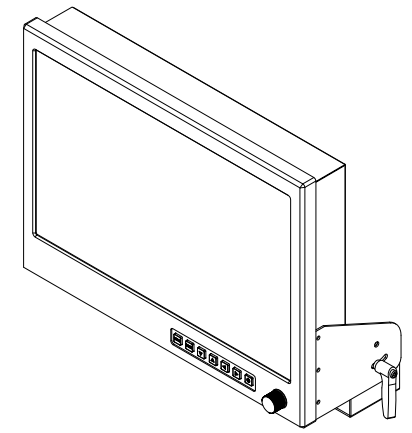
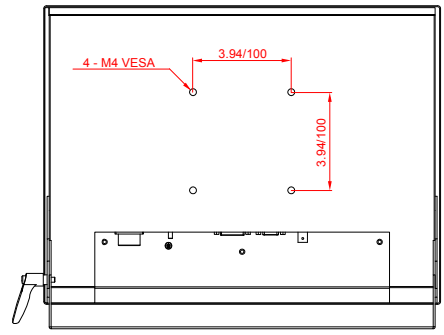
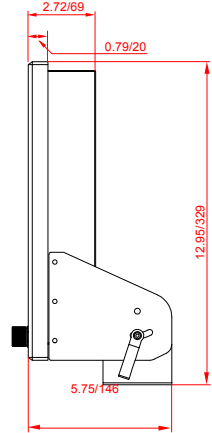
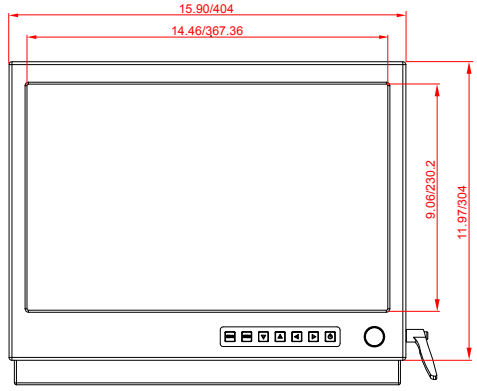
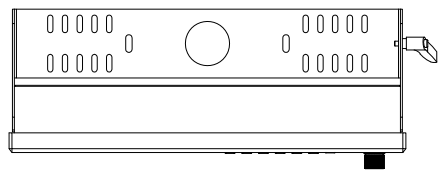


4

3

2

1



TILT ANGLE

PROPRIETARY NOTICE – PERMISSION IS HEREBY GRANTED TO USE THE CONFIDENTIAL INFORMATION ON THIS DOCUMENT FOR REFERENCE ONLY AND MAY NOT BE PRODUCED OR DISCLOSED TO OTHERS WITHOUT PRIOR WRITTEN PERMISSION OF MARINE PC.

TOLERANCES	
LINEAR	ANGULAR
.X = ± .1	± .5°
.XX = ± .01	
.XXX = ± .005	
UNLESS OTHERWISE SPECIFIED	

Project: **MPC-HL17**  
 Status: Released  
 Design: KJ Date: 6/8/2017  
 Check: EC Date: 6/15/2017

Part # **MPC-HL17-U**  
 Material:  
 Finish:  
 P:\Drawings\Bridge\_Displays\HL17\_w\_bracket\_Dim.ipt

Dwg # **MPC-HL17-U**  
 Rev # **1.0**

WGT. = N/A ` .25lbs.

**MPC-HL17 with U-Bracket**  
**17.1" Hi-Res Bridge Display**

**Marine PC**

3420 N. Stone Gully P:480-515-1838  
 Mesa, AZ 85207 USA

4

3

2

1

Sheet 1 of 1