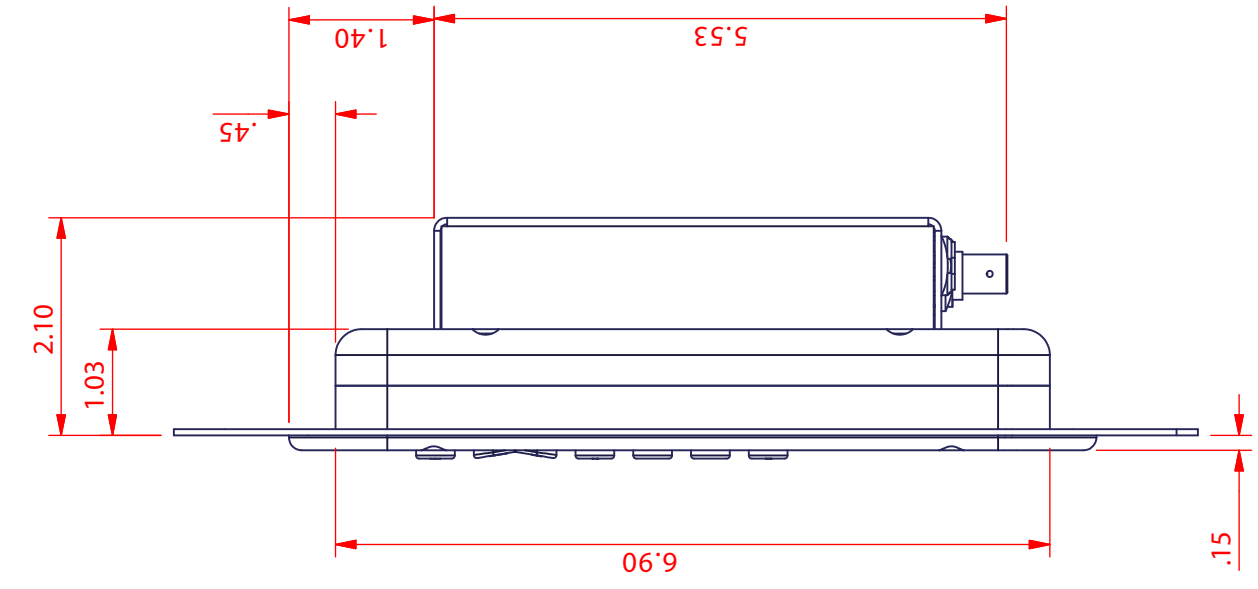
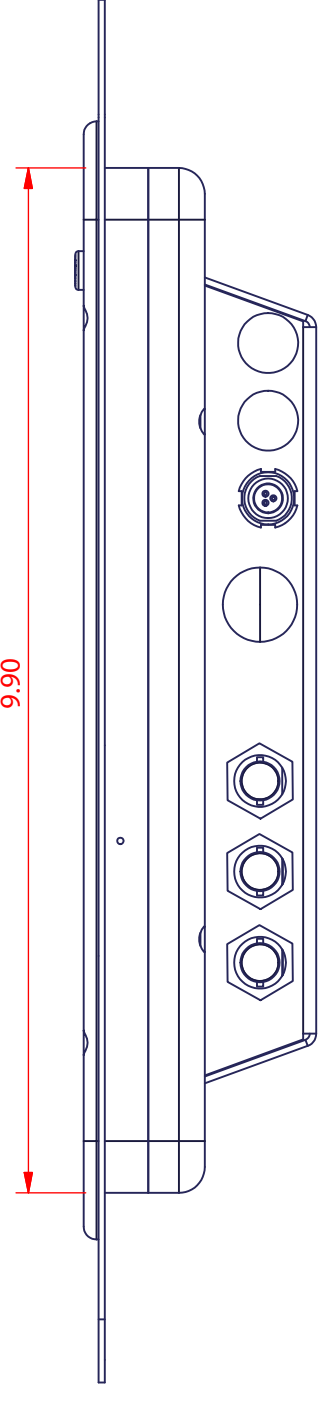
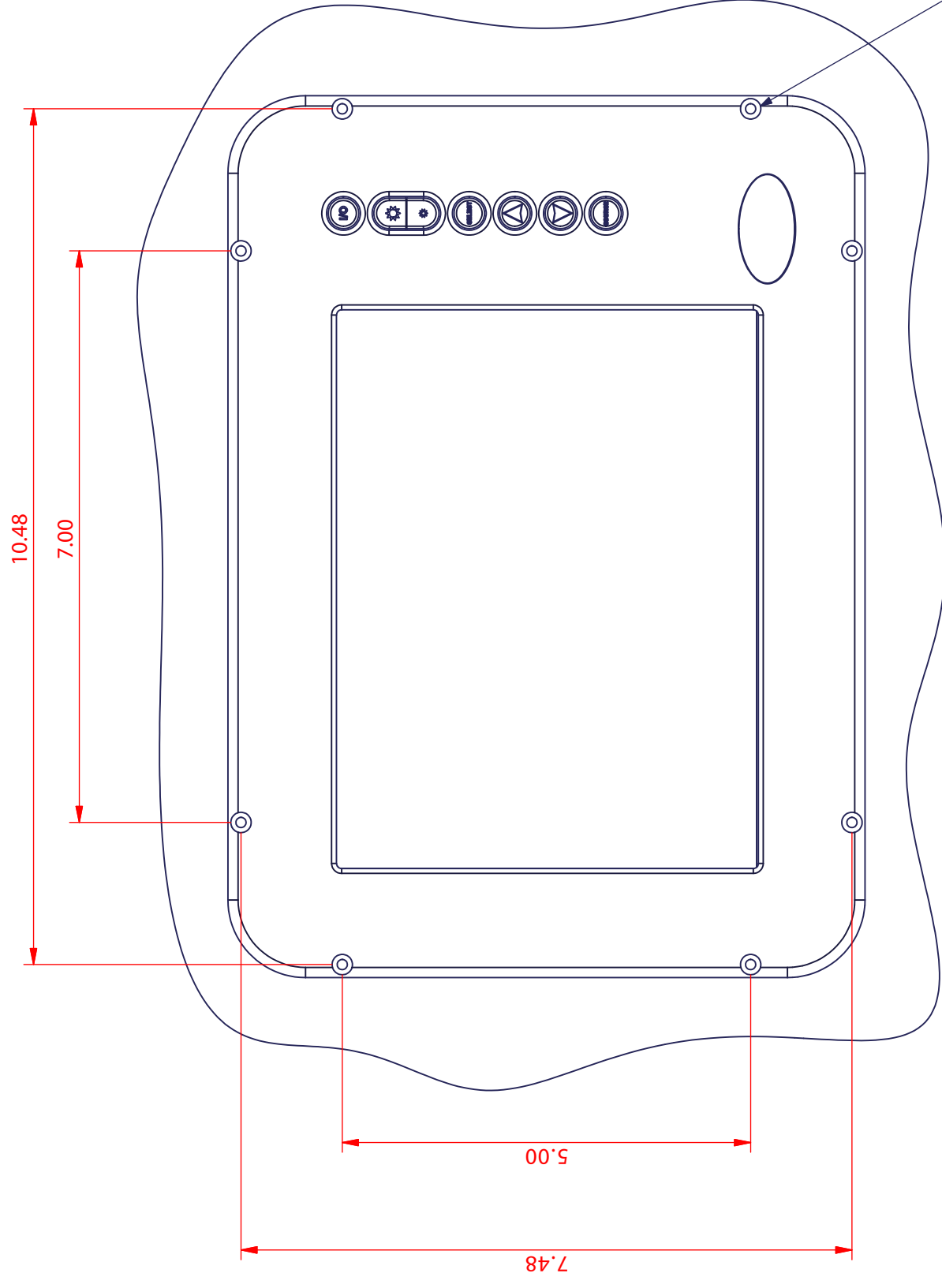


B

A



- o Stainless mounting screws & nuts recommended
- o M3 or 4/40 size screws required
- o Sealing washers provided



B

A

PROPRIETARY NOTICE -- PERMISSION IS HEREBY GRANTED TO USE THE CONFIDENTIAL INFORMATION ON THIS DOCUMENT FOR REFERENCE ONLY AND MAY NOT BE PRODUCED OR DISCLOSED TO OTHERS WITHOUT PRIOR WRITTEN PERMISSION OF MARINE PC.

TOLERANCES
 LINEAR
 X = ±
 .XX = ± .01
 .XXX = ± .005
 ANGULAR
 ± °
 UNLESS OTHERWISE SPECIFIED

Project: **MPC-AWM208RF**
 Status: Released
 Design: EC Date: 7/21/2012
 Check: MG Date: 8/2/2012

Part # **MPC-AWM208RF** Dwg # **O1306.10**
 Rev # **1.0**
 Material:
 Finish:
 P:\AWM\AWM208R\Assemblies\ Flush Mounted Bezel.iam

WGT.=

MPC-AWM208RF
 Display, Flush Mount AWM208R

MARINE PC
 3420 North Stone Gully
 Mesa, AZ 85260
 P: 480-515-1838
 F: 480-654-0243