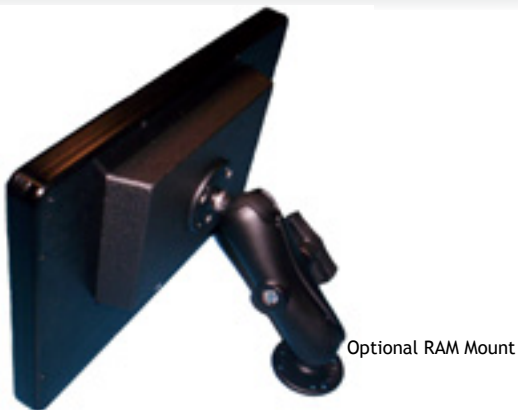




Professional Grade Waterproof Ultrabright LED Computer & Video Monitor

MPC-AWM2VR

The AWM2VR Series is a 2nd generation marine grade flat panel Active Matrix LCD Monitor designed for extremely rugged use where the case must be fully sealed from water, oil, dirt and other contaminants. The AWM2VR is available in 8.4", 10.4", 12.1" and 15.0" sizes and utilizes ultrabright LED backlight technology. The image is fully sunlight readable in any environment. The front mounted video display and dimming control adjusts the display qualities and brightness from 800 nits to ~ 1 nit for optimal operator viewing clarity and comfort in any lighting condition. The AWM2VR connects to any standard PC through the VGA output and/or any three NTSC/PAL video sources. The AWM2VR has a front mounted source button to allow sequential display of all sources connected. Any input can be selected for secondary display with the built-in Picture-in-Picture feature. The normal operating temperature range of -40 to 70°C (-40 to 158°F) is accomplished without heaters. The optional touch screen will operate perfectly even in the wettest conditions. The precision milled aluminum case is the smallest possible allowing mounting where others can't fit. Our sealed construction eliminates fogging yet it looks great and will give years of service with the roughest handling. Mounting is accomplished via a shock resistant adjustable ball mount, or ordered with the optional flush bezel. Common applications for the AWM2VR include primary display or repeater from a chart plotter, blackbox radar or sounder or weather computer, docking/engine/FLIR/fishing cameras, and can be remotely located on deck, in an open flybridge, nav station or fishing tower, or mounted on the bridge or in the cockpit of a sailboat.



Optional RAM Mount



Standard Features

- Completely Sealed Case Rated IP67 Watertight.
- 8.4", 10.4", 12.1" or 15" Color TFT AMLCD.
- SVGA(800x600) or XGA(1024x768) Native Resolution.
- Standard RGB Video from any Computer.
- NTSC or PAL Input from Any Three Video Sources.
- Picture-in-Picture Included as Standard.
- Up to 1,000 nit Sunlight Viewable Dims to ~ 1 nit.
- Exceptional Temp Range: -40 to 70°C (-40 to 158F).
- Thin Profile Black Anodized Aluminum Case.
- Studs or Optional RAM Adjustable Ball Mount.
- Optional Flush Bezel for Console Mounting.
- Powered from 9-30 VDC or 120/240 VAC.
- Anti-Reflective Glass or Optional Touchscreen.
- 10 Ft. (3m.) Power and VGA Cables Included.



Professional Grade
Waterproof Ultrabright LED
Computer & Video Monitor

MPC-AWM2VR

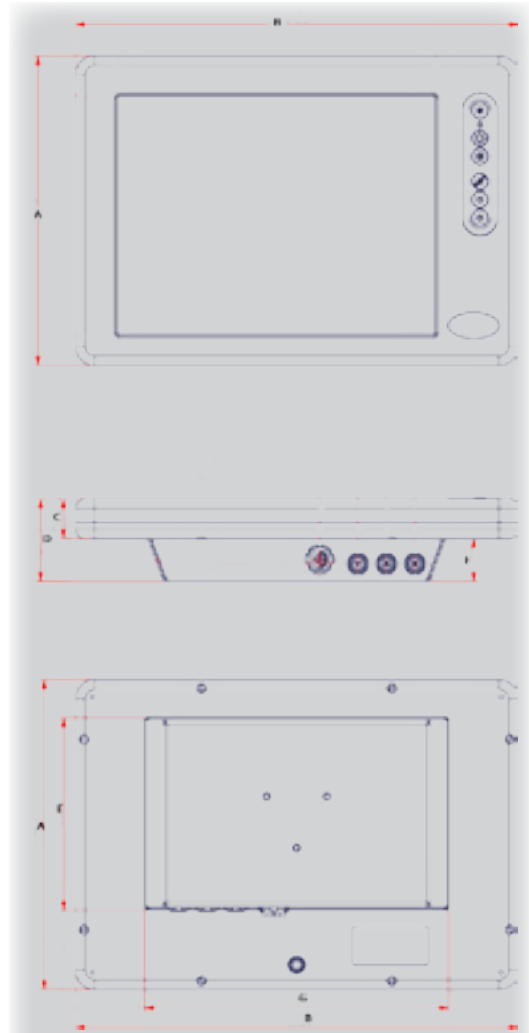
Specifications

- **Display** AM-TFT LCD: 8.4", 10.4", 12.1" - 800x600, 15.0" - 1024x768
 Optional XGA 1024x768 for 10.4" and 12.1" Only (1,000 nits)
- **Brightness** 800 nits Ultrabright LED Dimmable to ~ 1 nit (12.1" - 550 nits)
- **Computer Input (1)** RGB VGA Video from Any Standard Computer, 4:3 Autoscaling
- **Video Inputs (3)** NTSC or PAL Composite Inputs via Coax Cable and S-Video
- **Picture-in-Picture** Any Input can be selected through the OSD for secondary display
- **Cables** Power - 10 Ft. (3m.) Sealed Cable, Flying Leads (DC only)
 RGB - 10 Ft. (3m.) Sealed Cable, Standard Mini-DIN DB-15 Male
- **Connectors (Power & RGB)** Multi-Conductor Sealed Push-On, Pull-Off Retained Connectors
- **Connectors (Video)** 3 - Sealed BNC Coax F
- **USB Connector (Optional)** Single USB 1.1 Pass-Through Pigtail at Rear of Unit
- **Housing** NEMA 6P/IP67 Rated Outdoor Weatherproof and Watertight
 Main Case Black Anodized/Clear Coated Milled Aluminum Billet
 Powder Coated Aluminum Pod, All Stainless Steel Hardware
- **Mounting** RAM Adjustable Shock Resistant Ball Surface Mount
 Optional Flush Mount Bezel (Adds 0.45" Flange All Sides)
- **Weight**

8.4"	3.0 kg / 6.6 lbs.
10.4"	3.5 kg / 7.7 lbs.
12.1"	4.1 kg / 9.0 lbs.
15.0"	5.0 kg / 11 lbs.
- **Power** Min: 6 watts Max: 8.4", 10.4", 12.1" - 17 Watts, 15" - 35 Watts
- **Environmental**

	Operating	Non-Operating
Temperature (Air Ambient)	-40°C to 70°C (-40 to 158°F)	-55°C to 75°C (-67°F to 167°F)
Relative Humidity	0% to 100%	
Shock	50 G	50 G
Vibration		
(@ 5-500 Hz sine sweep)	5.8 G	5.8 G
- **Electrical**

Input	9-30 VDC Internal	120/240 VAC (External Adapter)
Frequency	DC Input	45 – 75 Hz
- **MTBF** 30,000 Hrs.
- **Standards** CE, FCC Class A, Part 15



Dim Model	A	B	C	D	E	F	G
AWM8	6.90" 175mm	9.90" 251mm	1.13" 29mm	2.25" 57mm	1.12" 28mm	5.11" 130mm	8.04" 204mm
AWM10	8.13" 207mm	11.60" 295mm	1.05" 27mm	2.18" 55mm	1.12" 28mm	5.11" 130mm	8.04" 204mm
AWM12	9.20" 234mm	13.00" 330mm	1.05" 27mm	2.18" 55mm	1.12" 28mm	5.11" 130mm	8.04" 204mm
AWM15	11.0" 279mm	14.86" 377mm	1.05" 27mm	2.18" 55mm	1.12" 28mm	5.11" 130mm	8.04" 204mm