



Professional Grade Waterproof Ultrabright LED Computer Monitor

MPC-AWM2R

The AWM2R Professional Series is a 2nd generation marine grade flat panel Active Matrix LCD Monitor designed for extremely rugged use where the case must be fully sealed from water, oil, dirt and other contaminants. The AWM2R is available in 8.4", 10.4", 12.1" and 15.0" sizes and is fully sunlight readable for use in virtually any environment. The LED backlight delivers up to 1,000 nits of full sunlight readability, yet dims to ~ 1 nit for use on moonless nights. The front mounted video display and dimming control adjusts the display qualities and brightness from max to super-dim for optimal operator viewing clarity and comfort in any lighting condition. The AWM2R connects to any standard PC through the VGA output. The AWM2R receives its video signals through a sealed 10 ft. cable. The native resolution is SVGA 800x600 (XGA 1024x768 for the 15"), but the 10.4" and 12.1" are optionally upgradable to XGA native 1,000 nits. In any case, the AWM2R will auto-scale any standard 4:3 input resolution to fit full screen. The optional touch screen will operate perfectly even in the wettest conditions. The normal operating temperature range is -40 to 70°C (-40 to 158°F) without heaters. The precision milled aluminum case is the smallest possible allowing mounting where others can't fit. Our sealed construction eliminates fogging yet it looks great and will give years of service with the roughest handling. Mounting is accomplished via a shock resistant adjustable ball mount, or ordered with the optional flush bezel. Common applications include primary display or repeater from a computer, chart plotter, blackbox radar or sounder or weather computer and remotely located in an open flybridge, nav station or fishing tower, or mounted on the bridge or in the cockpit of a sailboat.



RAM Mount



Standard Features

- **Completely Sealed Case Rated IP67 Watertight.**
- **8.4", 10.4", 12.1" or 15" Color TFT AMLCD.**
- **SVGA(800x600) or XGA(1024x768) Native Resolution.**
- **Standard RGB Video from any Computer.**
- **800 to 1,000 nit Sunlight Viewable Dims to ~1 nit.**
- **Exceptional Temperature Range: -40 to +70°C.**
- **Thin Profile Black Anodized Aluminum Case.**
- **Mounting studs or Optional RAM Ball Mount.**
- **Optional Flush Bezel for Console Mounting.**
- **Powered from 9-30 VDC or 120/240 VAC.**
- **Anti-Reflective Glass or Optional Touchscreen.**
- **10 Ft. (3m.) Power and Video Cables Included.**

WWW.MARINEPC.COM

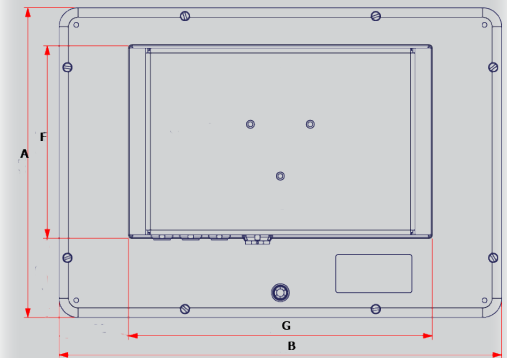
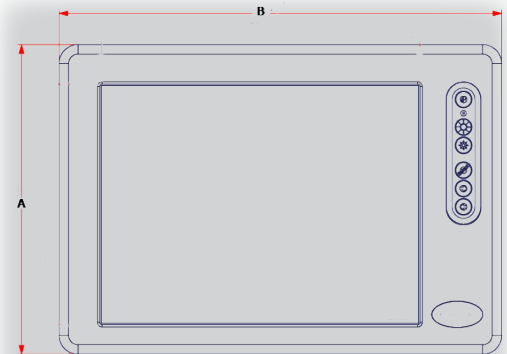


Professional Grade
Waterproof Ultrabright LED
Computer Monitor

MPC-AWM2R

Specifications

- Display** AM-TFT LCD: 8.4", 10.4", 12.1" - 800x600, 15.0" - 1024x768
 Optional XGA 1024x768 for 10.4" and 12.1" Only (1,000 nits)
 800 nits LCD Backlight, Dimmable to ~1 for Night Operation
 12.1" - 550 nits
- Brightness**
- Video Input** RGB VGA Video from Any Standard Computer, 4:3 Autoscaling
- Touchscreen (Optional)** Analog Resistive, 1024x1024 Resolution, Serial Cable Included
- Cables**
 Power - 10 Ft. (3m.) Sealed Cable, Flying Leads (DC only)
 Video - 10 Ft. (3m.) Sealed Cable, Standard Mini-DIN DB-15 Male
- Connector** Multi-Conductor Sealed Push-On, Pull-Off Retained Connector
- USB Connector (Optional)** Single USB 1.1 Pass-Through Pigtail at Rear of Unit
- Housing** NEMA 6P/IP67 Rated Outdoor Weatherproof and Waterproof
 Main Case Black Anodized/Clear Coated Milled Aluminum Billet
 Powder Coated Aluminum Pod, All Stainless Steel Hardware
- Mounting** Studs or Optional RAM Adjustable Resistant Ball Surface Mount
 Optional Flush Mount Bezel (Adds 0.45" Flange All Sides)
- Weight**
 8.4" 3.0 kg / 6.6 lbs.
 10.4" 3.5 kg / 7.7 lbs.
 12.1" 4.1 kg / 9.0 lbs.
 15.0" 5.0 kg / 11 lbs.
- Power** Min: 6 watts Max: 8.4", 10.4", 12.1" - 17 Watts, 15" - 35 Watts
- Environmental**
 Temperature (Air Ambient) **Operating** **Non-Operating**
 -40°C to 70°C (-40 to 158°F) -40°C to 75°C (-40°F to 167°F)
 Relative Humidity 0% to 100%
 Shock 50 G 50 G
 Vibration 5.8 G 5.8 G
 (@ 5-500 Hz sine sweep)
- Electrical**
 Input 9-30 VDC Internal 120/240 VAC (External Adapter)
 Frequency DC Input 45 – 75 Hz
- MTBF (approx.)** 50,000 Hrs.
- Standards** CE, FCC Class A, Part 15



Dim Model	A	B	C	D	E	F	G
AWM8	6.90" 175mm	9.90" 251mm	1.13" 29mm	2.25" 57mm	1.12" 28mm	5.11" 130mm	8.04" 204mm
AWM10	8.13" 207mm	11.60" 295mm	1.05" 27mm	2.18" 55mm	1.12" 28mm	5.11" 130mm	8.04" 204mm
AWM12	9.20" 234mm	13.00" 330mm	1.05" 27mm	2.18" 55mm	1.12" 28mm	5.11" 130mm	8.04" 204mm
AWM15	11.0" 279mm	14.86" 377mm	1.05" 27mm	2.18" 55mm	1.12" 28mm	5.11" 130mm	8.04" 204mm